

### HANDLING PRECAUTIONS

- 1) Do not apply excessive pressure or shock to the product. The maximum permissible load is 150 kg.
- 2) Do not use the product while on an electric wheelchair or scooter.
- 3) Make sure that children or individuals inapt at using the product do not use it on their own. This product is intended for users who can carry a manual wheelchair themselves.
- 4) Do not disassemble the product arbitrarily without obtaining a permission and consent of the manufacturer.
- 5) Do not use the product at temperature of 40°C or higher or 10°C or lower. After use, store in a cool and dry place. Heat and humidity may cause irrecoverable damage to the product.
- 6) Do not scratch or cause damage any part of the product with knives, scissors and other sharp objects.
- 7) In order to prevent suffocation, keep packaging materials, pouch, plastic bag, etc. away from children.
- 8) Do not apply lubricant, cleaner or any other extraneous material to the inner part of the product. It may cause malfunction and taint.

### SAFETY PRECAUTIONS

- 1) For safe cleansing, access WHEELSTER MINI from the front side of your wheelchair. If you access from the back side, you have to go over the product, in which case the product may fall apart during cleaning.
- 2) If your wheelchair has a low pressure (60 psi or lower) or worn tire, it may cause excessive burden to the rollers, requiring too much strength for cleaning or causing product destruction.
- 3) Make sure to read carefully the use instructions before use. If you go over the product or apply too much force on one side when rotating the wheels, the product may fall apart during cleaning.
- 4) Use the product on flat and level floor. On sloping floor, you may fall off your wheelchair.
- 5) **Rapid wheeling on the product may cause tire and product wear or damage. Roll the wheel slowly while cleaning.**
- 6) Do not use on slippery floor.
- 7) If you use when the wheelchair is wet (from rain or due to humidity), it can lower the cleaning effect. Dry before cleaning is recommended. Also, cleaning wet wheelchair is likely to increase the risk of contamination or corrosion. Make sure to clean WHEELSTER MINI to prevent this.
- 8) Align the center of your wheelchair wheels and the center of the ramp of WHEELSTER MINI when accessing it. If you access from diagonal direction, your wheelchair may lean toward to one side when rolling the wheels for cleaning, which may result in product separation and destruction.
- 9) When cleaning, fixate the other side of the wheels by using the break or controlling manually to ensure safe use. Also, when cleaning drive wheels, try to move your hand in a straight line as much as possible in order to prevent leaning to one side.

### MAINTENANCE PRECAUTIONS

- 1) Long time use without cleaning the product may allow foreign materials to gather in the operation part, such as roller bearings, which may result in irrecoverable damage to product performance. Detach and clean the brush pad from the main part of WHEELSTER MINI regularly to maintain the best performance.
- 2) Do not clean the product with strong acid or alkali chemicals.
- 3) Do not apply excessive force when cleaning the main part of WHEELSTER MINI.
- 4) Do not put the main part of WHEELSTER MINI into water for cleaning. It may cause corrosion of roller bearings.
- 5) For cleaning of the main part of WHEELSTER MINI, detach the brush pad first and remove dust and foreign materials inside by using soft brush, cleaning tissue, etc.
- 6) Gently clean the brush pad in running water after detaching it from the main part.
- 7) Do not apply excessive force when cleaning the brush pad. It may cause deformation or loss of hair.
- 8) For MINI stick, gently remove dust and foreign materials on the surface by using soft brush, cleaning tissue, etc.
- 9) Do not apply excessive force when cleaning MINI stick. It may cause destruction.
- 10) After cleaning, dry completely each part of the product before use. Water may carry dirt to the product.
- 11) The cover can be hard to open when force is applied to the opposite side of the PUSH mark.

※ This guide contains instructions to ensure safe use of WHEELSTER MINI and to prevent potential harm or property damage to users and nearby people.

※ WHEELSTER MINI manufacturer and distributors disclaim all responsibility for any accidents resulting from your failure to comply with the precautions contained herein. Make sure to read carefully the precautions and use guide before use.

## WARRANTY POLICY

Type of Consumer Damage	Compensation		
	Within Warranty Period	After Warranty Period	
Natural occurrence of performance / Function failure while in normal use	When major repair is required within 10 days of purchase	Product exchange or refund of purchase price	Paid repair
	When repair of major parts is required within 1 month of purchase	Product exchange or free repair	
	When major repair is required within 1 month of product exchange	Refund of purchase price	
	When product exchange is impossible		
	When a product defect occurs	Free repair	Refund + 10% of straight-line depreciated price
	When product breakdown recurs (4th time) after 3 repairs of the same defect	Product exchange or refund of purchase price	
	When product breakdown recurs (4th time) after a total of 3 repairs of different parts		
	When repair is impossible		
	When the company has lost the product of which the customer requested repair		
	When repair is impossible because repair parts are unavailable (if within retention period)		
Occurrence of malfunction due to customers' willful misconduct / Negligence or acts of God	When damage occurs during transportation and delivery process	Product exchange	Paid repair
	If repair is possible	Paid repair	Paid repair
	If repair is impossible because repair parts are unavailable	Product exchange after collecting repair costs	Product exchange after collecting repair costs

## WARRANTY

The warranty period of this product is 1 year from purchase.

Kangsters Corp. provides product warranty as below. When a repair service event occurs, our designated service provider will perform the repair. However, please be informed that we do not provide warranty for malfunctioning products caused from customer negligence or acts of God, in which case the repair service is provided on a paid basis. The retention period of key parts is **2 years**.

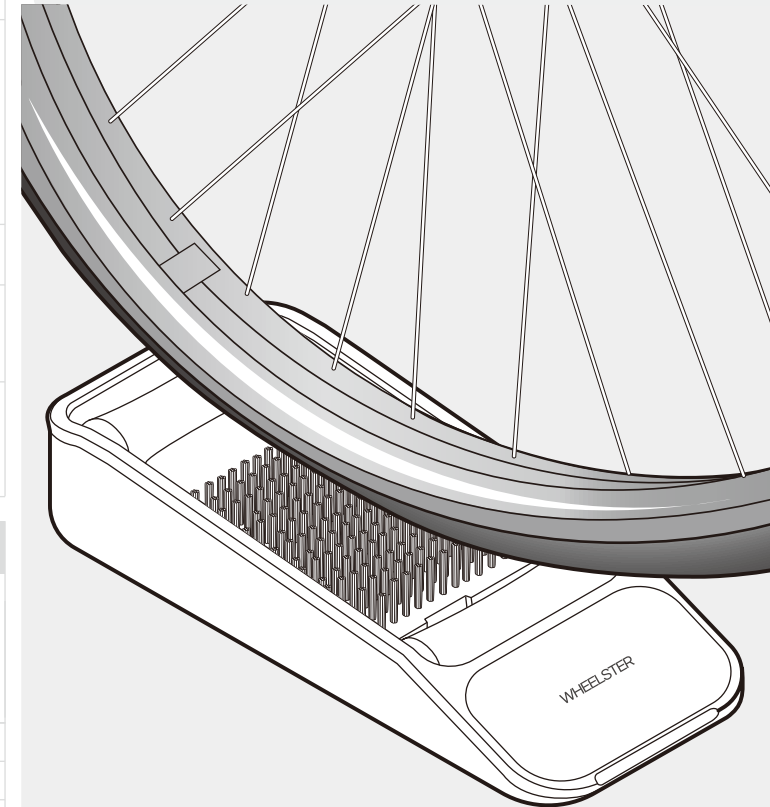
PRODUCT NAME	MODEL NAME
CUSTOMER NAME	S/N, LOT
DATE OF PURCHASE	PLACE OF PURCHASE

**KANGSTERS CORP.**  
 INFO@KANG-STERS.COM  
 WWW.KANGSTERS-CREW.COM  
 15462, 180, GWANGDEOK4-RO, DANWON-GU,  
 ANSAN-SI, GYEONGGI-DO, REPUBLIC OF KOREA

**Kangsters**

# WHEELSTER MINI

## Quick Start Guide



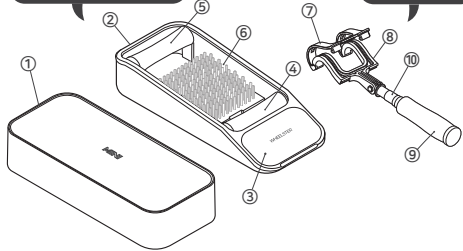
### MODEL

WM211PG | WM211PW

## Components and Accessories

● WM211PG ● WM211PW

WHEELSTER MINI



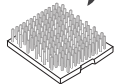
MINI Stick

- ① Cover
- ② Main Part
- ③ Ramp
- ④ Front Roller
- ⑤ Back Roller
- ⑥ Brush Pad
- ⑦ Upper Part
- ⑧ Lower Part
- ⑨ Handle
- ⑩ Extension Rod



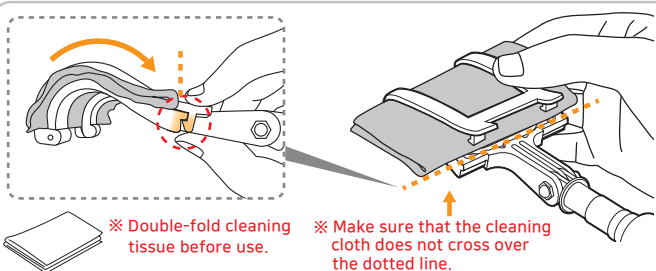
Quick Start Guide

Spare Brush Pad



WHEELSTER MINI Pouch

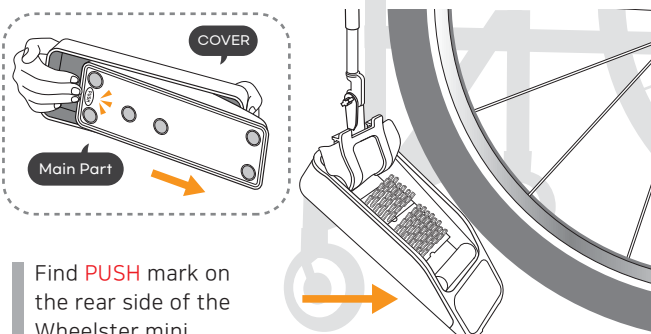
## Preparation for Cleaning



※ Double-fold cleaning tissue before use.

※ Make sure that the cleaning cloth does not cross over the dotted line.

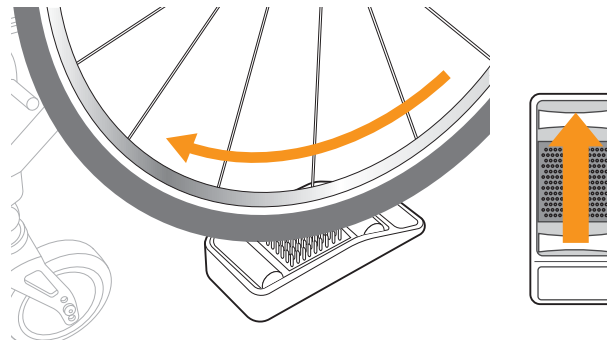
Combine MINI stick and the cleaning cloth. Pay care so that the cloth does not cross over the bottom line of the lower part of the stick.



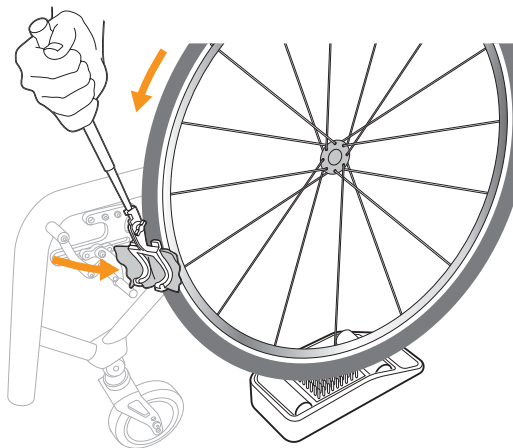
Find **PUSH** mark on the rear side of the Wheelster mini, and apply force on **PUSH** mark using four fingers while holding the device.

Open the cover. Place the main part in front of the drive wheel by using the stick.

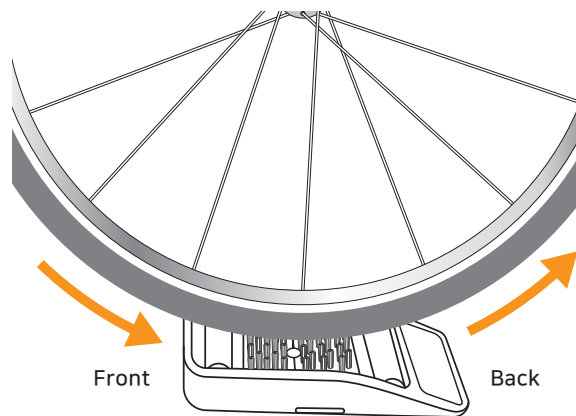
## Drive Wheel Cleaning



Place your wheelchair above the center of the ramp in a straight line. Lock the break on the other side.

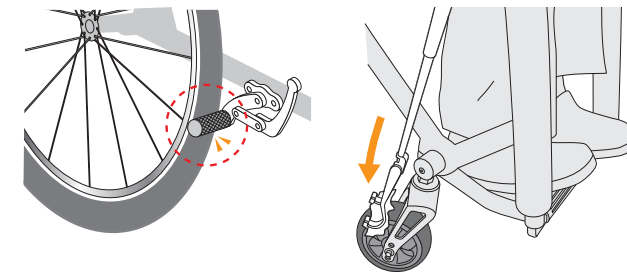


Put the cleaning cloth of MINI stick close to the drive wheel.

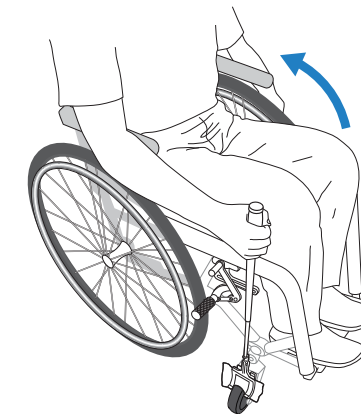


■ Slowly roll the drive wheel forward for cleaning.

## Caster Cleaning

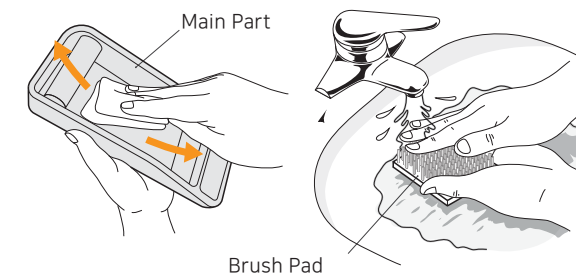


Lock the break on the side of the caster to be cleaned. Put MINI stick close to the caster.



■ Roll the drive wheel on the other side for cleaning.

## Product Cleaning Guide



**Main Part Cleaning** : Detach the brush pad from the main part. Brush off dust or use tissue, etc. to clean the main part.

**Brush Pad Cleaning** : Wash the brush pad and dry completely.